

Personalize your parking lot™

Brandable EV Charging Stations

Energize Your Brand

Give power to your brand right from the start. Since parking is the first impression for your customers, make it unforgettable by branding each charging station with your logo and message.

Universal Compatibility

Choose any industry wall charger and receive your panels with pre-drilled mounting holes for easy installation.

Advanced Cable Management

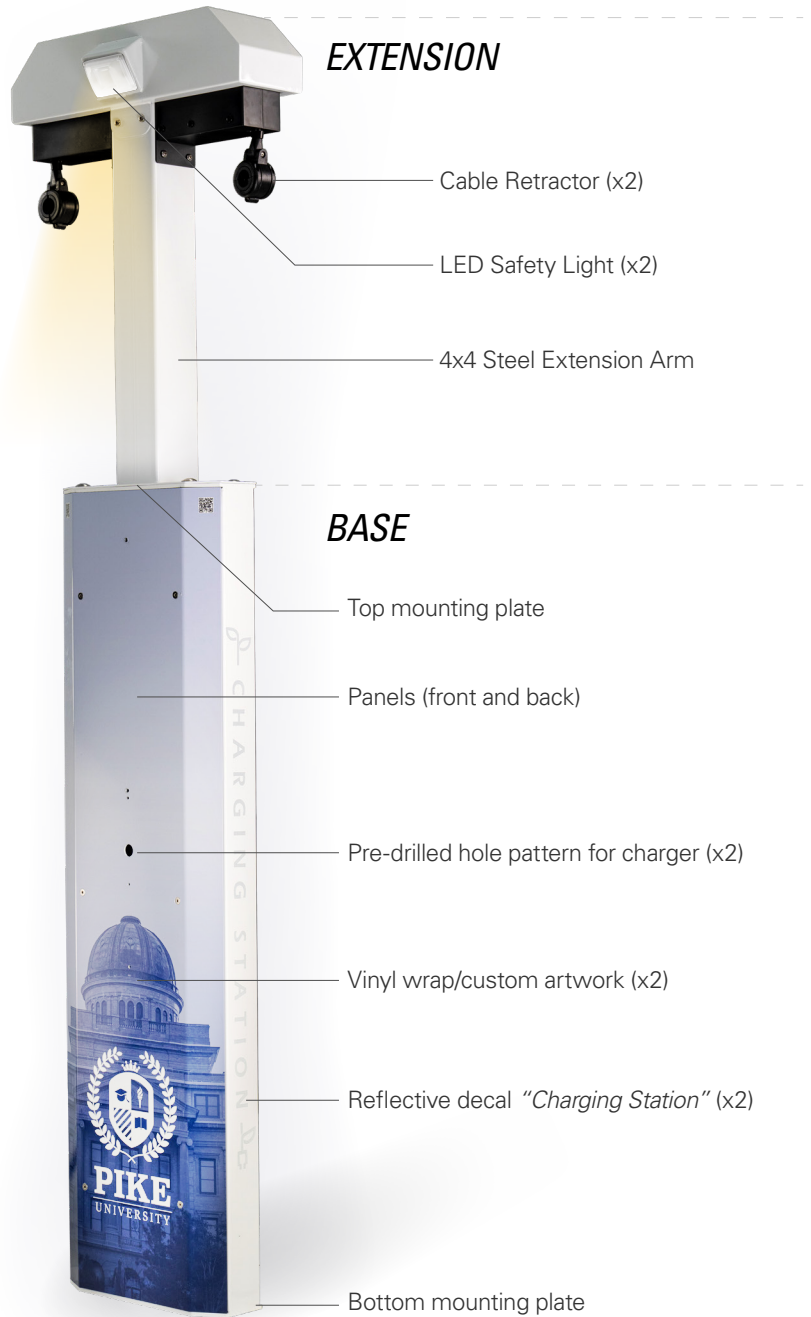
Say goodbye to tangled cables with industry-leading ratcheting cable retractors, designed for smooth, effortless use every time.

Safety Lighting

Boost pedestrian safety around your charging station with two energy-efficient LEDs for optimal visibility in low-light conditions.

Superior Quality

Crafted with heavy-gauge steel, our American-made charging stations are engineered to withstand the toughest conditions.



PARTS LIST

Vinyl Wrap:
EWWRAP-01A

4-color print
UV-Protected laminate

Base:
186EVCS-01A



Extension:
186EVRX-01A



Panel:
186EVPN-01A



Retractor:
EVRETR-40-01

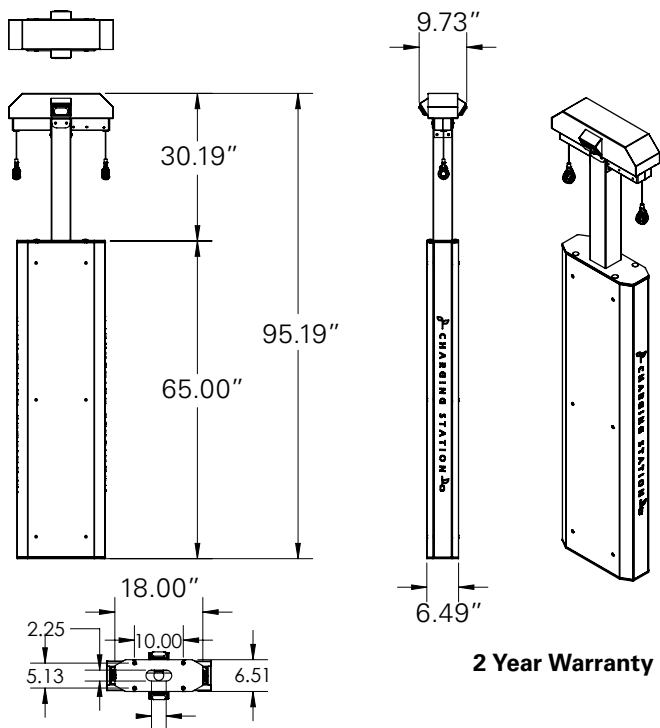


BASE+

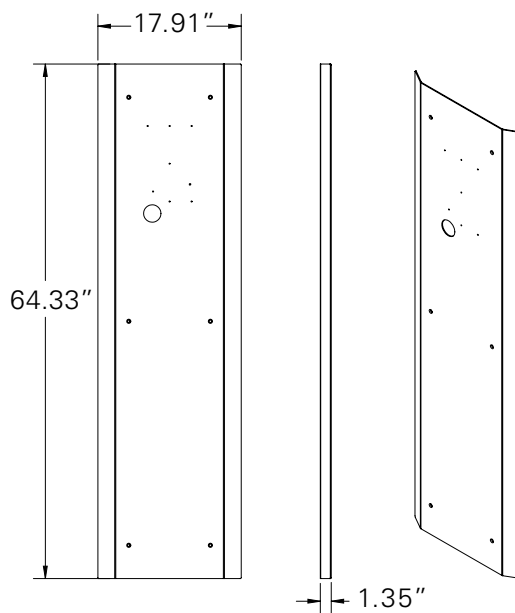
WEIGHT: 215lb

PANEL

WEIGHT: 14lb



2 Year Warranty



**Charger mounting holes will be different based on the choice of charger.*

MOUNTING OPTIONS

(sold independently)

Retrofit:
Stud-Anchor-625



New Construction:
L-Bolt-625



Pre-Fabricated Anchor:
186ANC-EVCS-01-304



COMPARE

FEATURE	BASE+	Competitors
Made in the USA from heavy gauge steel	●	—
Zinc primed and powder coated	●	—
Custom designs or colors	●	—
Customize and replace panels anytime	●	—
Cable extension arm with ratcheting retractors	●	—
LED safety lights	●	—



**Chargers sold separately.*



TO LEARN MORE

VISIT: pedestalpro.com/ev

CALL: 800.660.3072

