

PRODUCT FEATURES

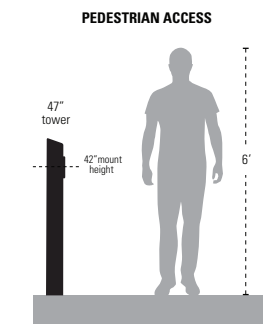
- Luxury aesthetics
- Antimicrobial surface
- Universal design
- Heavy duty materials
- Stainless steel construction
- Brushed #4 (180 grit)
- NDAA, Buy American, or USMCA/CUSMA compliant
- Build To Order (BTO)
- Available direct or through distribution
- ADA compliant

CUSTOM OPTIONS

- Customize device cutout
- Shorten or extend height
- Readily available powder coating colors (white, yellow, bronze, gray, silver)
- Choose any RAL powder color

DESCRIPTION

A stunningly beautiful bollard for high end decor in lobbies and entryways. Serves as a beautiful showcase for entry/exit buttons, ADA actuators, card readers, and more. Standing 48" tall, this remarkable pedestal comes with a single gang cutout nestled in an alcove to receive the device of your choice.

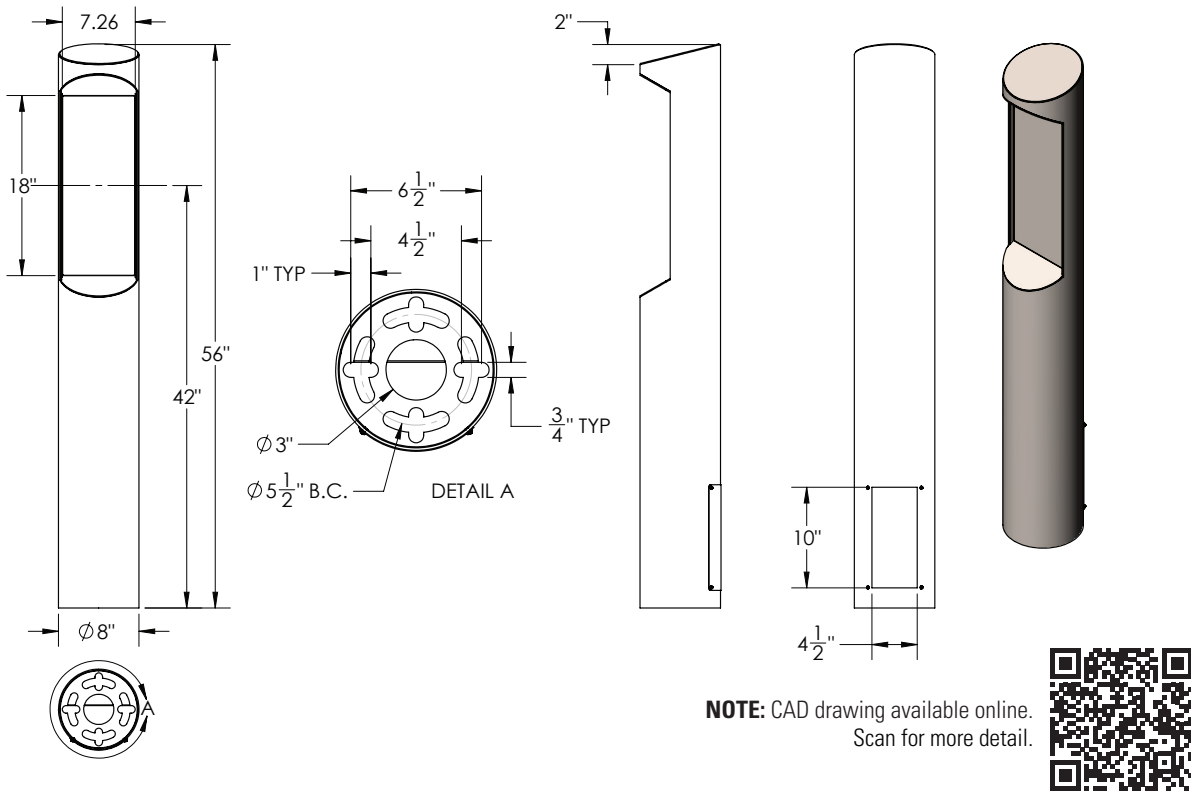


Download Pedestrian Height Chart for more details

RECOMMENDED ACCESSORIES

| | | |
|---|--|--|
| <p>BOLT KIT</p> <p>Stud-Anchor-500</p> | <p>BOLT KIT</p> <p>L-Bolt-500</p> | <p>SHIM KIT</p> <p>Shim-Kit-001</p> |
|---|--|--|

Model No. **8BOL-PRO-001-304**



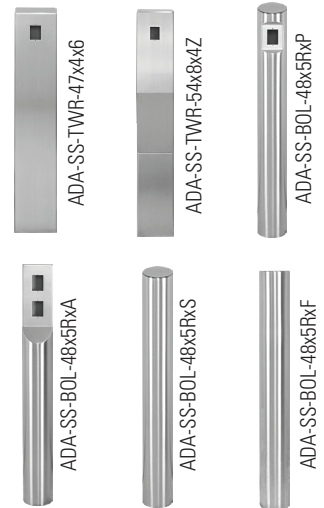
NOTE: CAD drawing available online.
Scan for more detail.



DATA & SPECS

| | |
|------------------|--|
| Product Style | Bollard |
| Material | #304 Stainless steel |
| Tube | 8" round x .250" wall, stainless steel #304 |
| Face Plate | .1217" (11 gauge) stainless steel #304 |
| Base Plate | .25" plate, stainless steel #304 |
| Cover Plate | .0749" (14 gauge) stainless steel #304 |
| Mounting Method | Pad mount |
| Pretreatment | n/a |
| Finish | Brushed #4 (180 grit) with mirrored corner radiuses |
| UV Protection | n/a |
| Hardware | none |
| Packaging | Foam wrapped and boxed individually |
| Package Size | 62 x 15 x 10 |
| Weight | 79 lbs |
| Shipping Method | UPS, FedEx, or LTL freight |
| Compliance | NDAA, Buy American, or USMCA/CUSMA (see website for details) |
| Warranty | 1 year limited (see website for details) |
| Inventory Status | Build To Order (Fast Track production is available) |

SIMILAR PRODUCTS



2N(R) is a registered trademark of Axis Communications, Inc. Pedestal PRO does not represent this brand. Use of trademark does not imply any affiliation with or endorsement by trademark owner. Refer to their website for more detailed information. Any device shown is not included in a purchase from Pedestal PRO. Pedestal PRO product features and dimensions are subject to change at any time. Check pedestalpro.com for current information.

