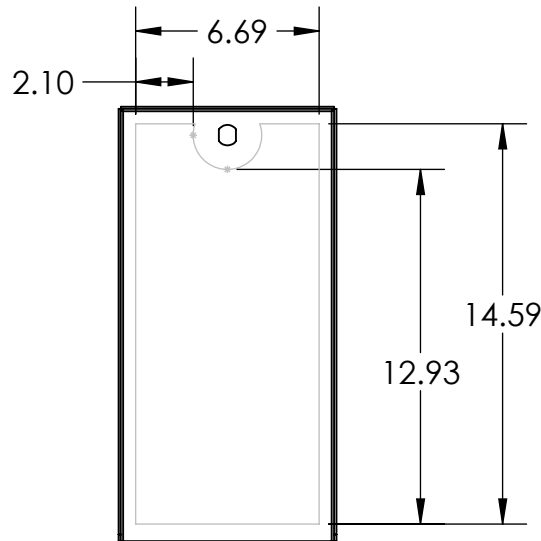
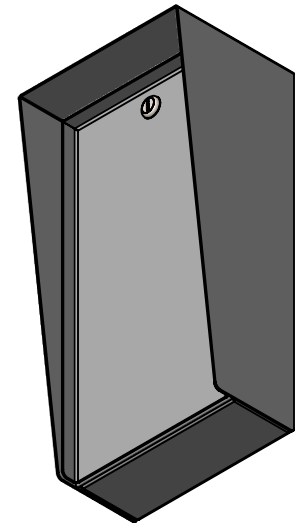
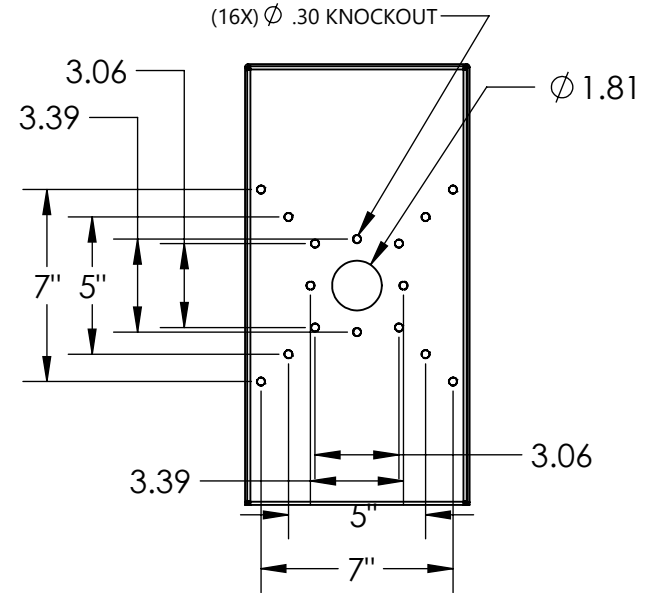


SECTION A-A



AVAILABLE CUTOUT AREA



PEDESTALPRO.COM  
1-800-660-3072

UNLESS OTHERWISE SPECIFIED:

DIMENSIONS ARE IN INCHES  
TOLERANCES:  
FRACTIONAL:  $\pm 1/32$   
ANGULAR:  $\pm 2^\circ$   
TWO PLACE DECIMAL:  $\pm 0.010$   
THREE PLACE DECIMAL:  $\pm 0.005$

INTERPRET GEOMETRIC  
TOLERANCING PER:  
ASME Y14.5 -2009

| NAME    | DATE |
|---------|------|
| DRAWN   |      |
| CHECKED |      |

**PROPRIETARY AND CONFIDENTIAL**  
THE INFORMATION CONTAINED IN THIS  
DRAWING IS THE SOLE PROPERTY OF  
PEDESTALPRO LLC. ANY REPRODUCTION  
IN PART OR AS A WHOLE WITHOUT THE  
WRITTEN PERMISSION OF PEDESTALPRO LLC  
IS PROHIBITED.

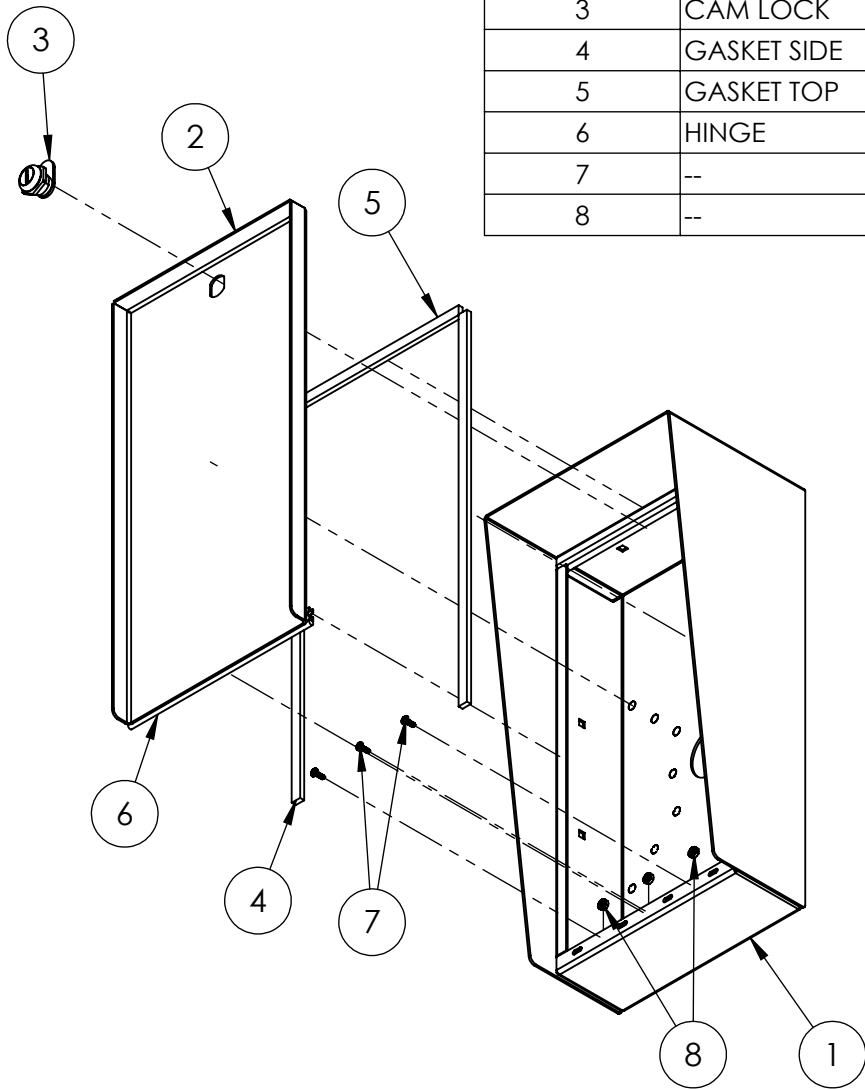
TITLE:  
**INSTALLATION**

Tuesday, September  
11, 2018 9:34:19 AM

WEIGHT:

| SIZE     | PART NO.         | REV          |
|----------|------------------|--------------|
| <b>A</b> | PORTRA-CS-8X16-E | <b>A</b>     |
| NO SCALE |                  | SHEET 1 OF 6 |

| ITEM NO. | PART NUMBER                | DESCRIPTION                     | QTY. |
|----------|----------------------------|---------------------------------|------|
| 1        | PORTRA-CS-8X16-E ENCLOSURE | ENCLOSURE WELDMENT              | 1    |
| 2        | PORTRA-CS-8X16-E DOOR      | DOOR WELDMENT                   | 1    |
| 3        | CAM LOCK                   | STRAIGHT CAM                    | 1    |
| 4        | GASKET SIDE                | 3/8 X .150 WEATHERSTRIPPING     | 2    |
| 5        | GASKET TOP                 | 3/8 X .150 WEATHERSTRIPPING     | 1    |
| 6        | HINGE                      | PIANO HINGE                     | 1    |
| 7        | --                         | 6-32 X 3/8 SS BUTTON HEAD SCREW | 3    |
| 8        | --                         | 6-32 EXTERNAL TOOTH LOCK NUT    | 3    |



NOTES:

1. SEE STANDARD PREPARATION AND COATING INSTRUCTIONS FOR COATING PROCEDURE AND COLOR.
2. SEE STANDARD PACKAGING INSTRUCTIONS FOR PACKAGING PROCEDURE.



PEDESTALPRO.COM  
1-800-660-3072

UNLESS OTHERWISE SPECIFIED:

DIMENSIONS ARE IN INCHES  
TOLERANCES:  
FRACTIONAL  $\pm 1/32$   
ANGULAR:  $\pm 2^\circ$   
TWO PLACE DECIMAL  $\pm 0.010$   
THREE PLACE DECIMAL  $\pm 0.005$

INTERPRET GEOMETRIC TOLERANCING PER: ASME Y14.5 -2009

| NAME    | DATE |
|---------|------|
| DRAWN   |      |
| CHECKED |      |

**PROPRIETARY AND CONFIDENTIAL**  
THE INFORMATION CONTAINED IN THIS DRAWING IS THE SOLE PROPERTY OF PEDESTALPRO LLC. ANY REPRODUCTION IN PART OR AS A WHOLE WITHOUT THE WRITTEN PERMISSION OF PEDESTALPRO LLC IS PROHIBITED.

TITLE:  
**ASSEMBLY**

Tuesday, September 11, 2018 9:34:19 AM

WEIGHT:

SIZE **A** PART NO. PORTRA-CS-8X16-E

NO SCALE

REV **A**

SHEET 2 OF 6